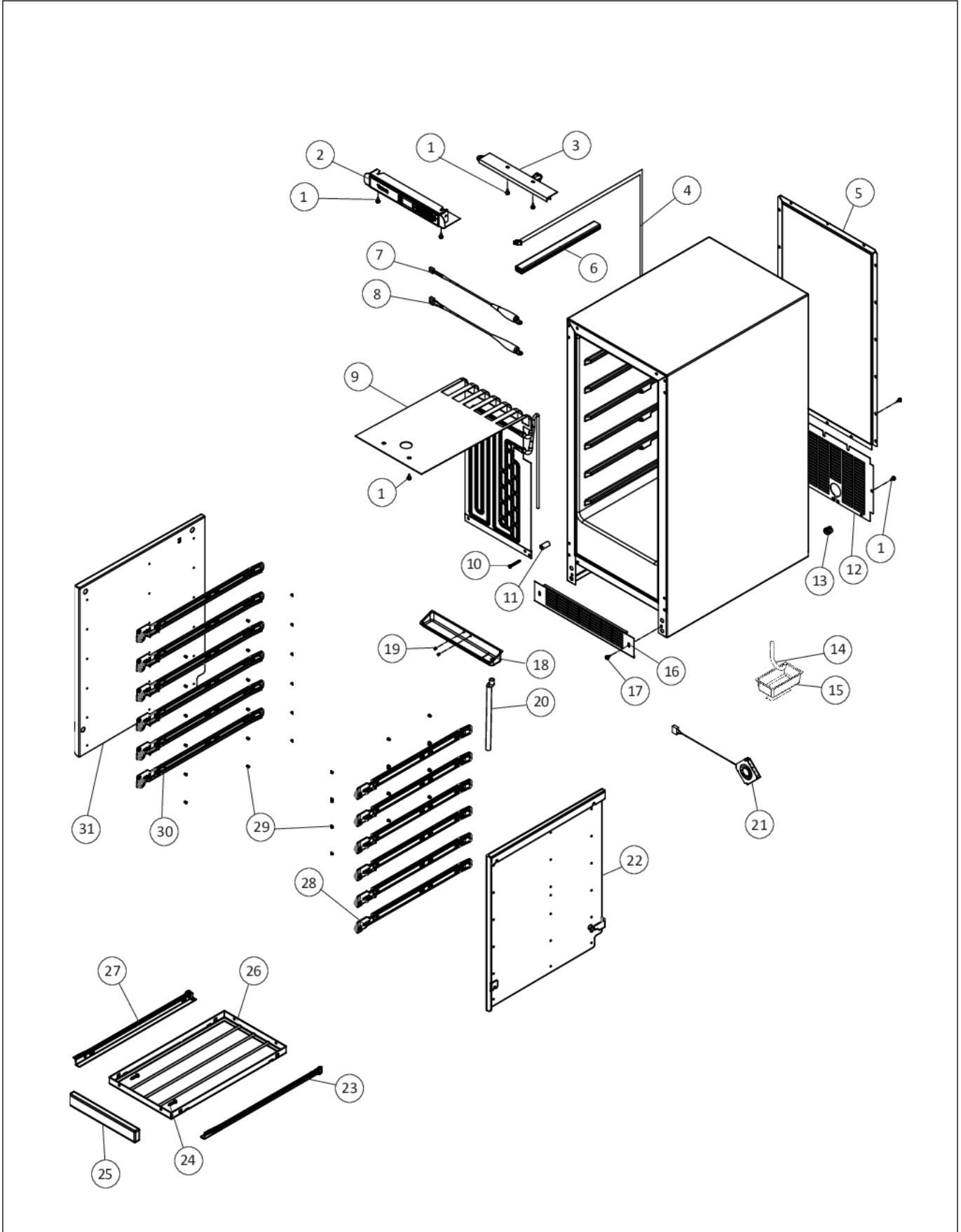


**DUWC1541REVBAFTER9-25-09**

|                              |   |
|------------------------------|---|
| CABINET .....                | 1 |
| DES GLASS .....              | 2 |
| HINGES .....                 | 3 |
| MECHANICAL .....             | 4 |
| Appendix A:Pages Index ..... | A |
| Appendix B:Parts Index ..... | B |

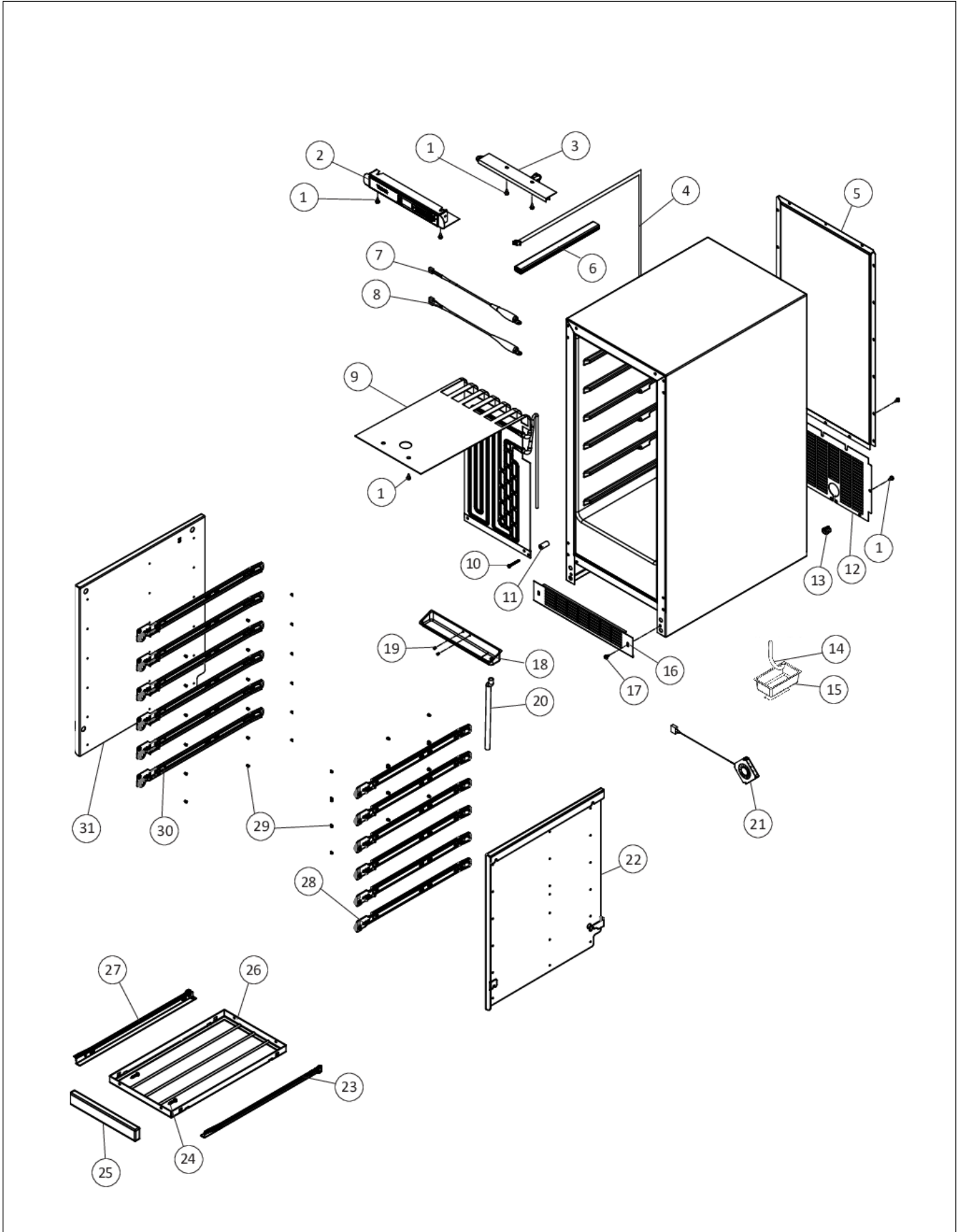


## CABINET





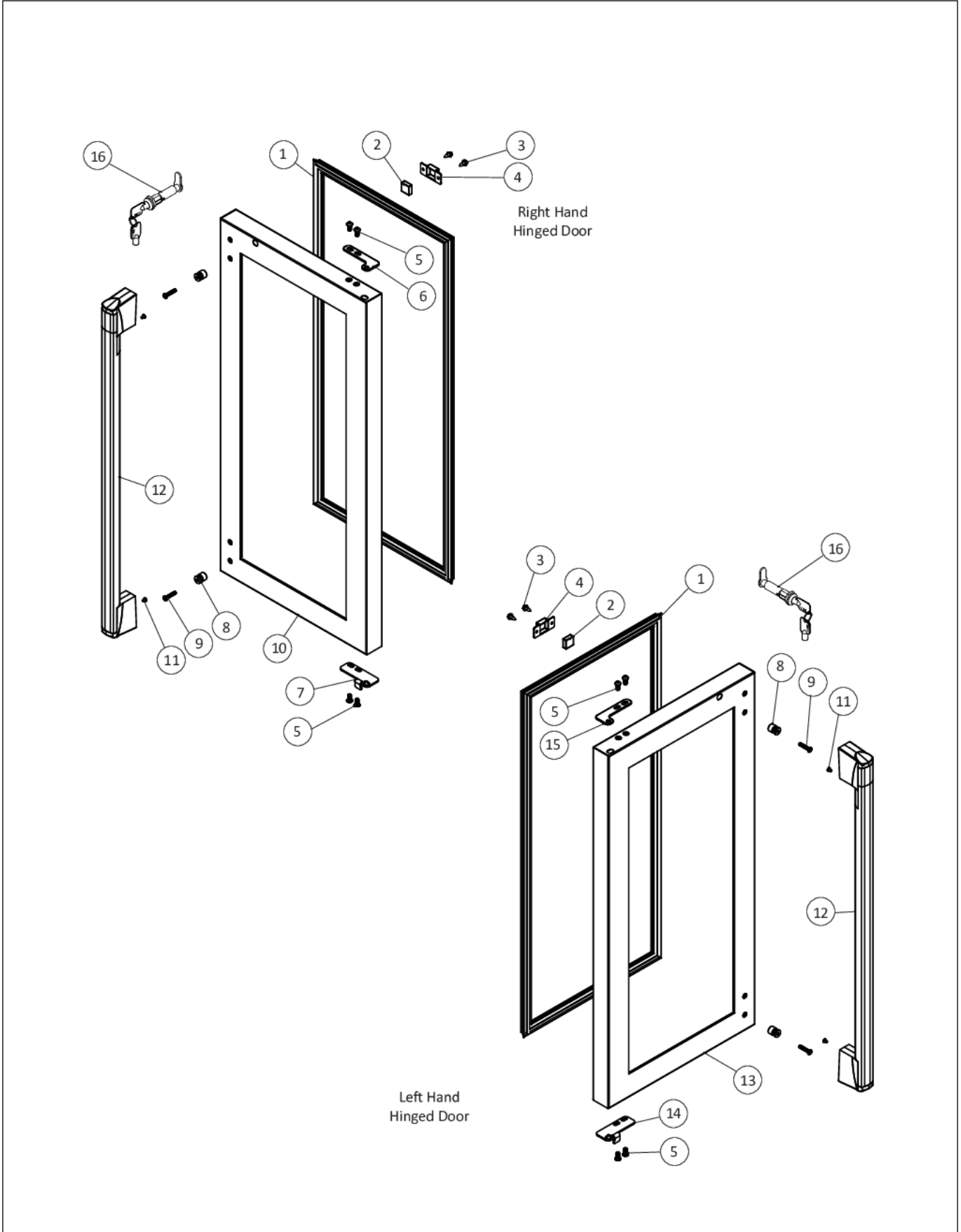
| Item | Part No.   | Name                                   | Qty | Uom | NOTES  |
|------|------------|--|-----|-----|--|
| 1    | 022440-000 | #10 X 5/8 HEX HEAD SCREW               | 26  | EA  |  |
| 2    | 028581-000 | DISPLAY ASM BK, 15" WC GLASS DR.       | 1   | EA  |  |
| 3    | PS100007   | AURA LIGHT ASSY (BLACK) 42245124       | 1   | EA  |  |
| 4    | 009482-000 | COMMUNICATION CABLE                    | 1   | EA  |  |
| 5    | 028468-000 | BACK PANEL                             | 1   | EA  |  |
| 6    | 022481-000 | WIRE CONDUIT                           | 1   | EA  |  |
| 7    | 022444-000 | EVAPORATOR TEMPERATURE SENSOR          | 1   | EA  |  |
| 8    | 009484-000 | DISPLAY TEMPERATURE THERMISTOR         | 1   | EA  |  |
| 9    | PW240049   | 151 EVAP ASSY (42244612)               | 1   | EA  |  |
| 10   | 022363-000 | #8 X 1-1/2 HEX HEAD SMS                | 2   | EA  | Not available online / Call for pricing and availability |
| 11   | 022352-000 | BLACK SPACER, 1.00ø LONG               | 2   | EA  |  |
| 12   | 028469-000 | ACCESS COVER                           | 1   | EA  |  |
| 14   | 028495-000 | J TRAP                                 | 1   | EA  |  |
| 15   | 022446-000 | Strain Relief Bushing                  | 1   | EA  |  |
| 15   | 022455-000 | DRIP PAN                               | 1   | EA  |  |
| 16   | 028470-000 | TOE GRILLE, BLACK                      | 1   | EA  |  |
| 17   | 022361-000 | STIRRER MOTOR                          | 2   | EA  |  |
| 18   | 022461-000 | DRIP TRAY, BLACK                       | 1   | EA  |  |
| 19   | 022401-000 | POP RIVET #AD43ABS ALUMINUM            | 2   | EA  |  |
| 20   | PW240045   | SERV. ASSY BLACK DRAIN TUBE 42244609   | 1   | EA  |  |
| 21   | 022455-000 | DRIP PAN                               | 2   | EA  |  |
| 22   | 022472-000 | LH LINER SHIELD                        | 1   | EA  |  |
| 23   | 022466-000 | RH SLIDE, BAYONET MOUNT SHELF, BLACK   | 6   | EA  |  |
| 24   | 022473-000 | #10 X .5 TYPE AB SHEET METAL SCREW, ZN | 12  | EA  |  |
| 25   | 022469-000 | NATURAL WOOD FRONT                     | 6   | EA  |  |
| 26   | 028494-000 | 30" RACK - 4TH GEN - BLACK             | 6   | EA  |  |
| 27   | 022470-000 | LH SLIDE, BAYONET MOUNT SHELF, BLACK   | 6   | EA  |  |





| Item | Part No.   | Name                                      | Qty | Uom | NOTES |
|------|------------|---|-----|-----|-------|
| 28   | 022450-000 | CUSHION                                   | 6   | EA  |       |
| 29   | 022356-000 | Pop Rivet                                 | 18  | EA  |       |
| 30   | 022476-000 | LH SLIDE, BAYONET MOUNT<br>CABINET, BLACK | 6   | EA  |       |
| 31   | 022448-000 | SCREW                                     | 1   | EA  |       |

DES GLASS

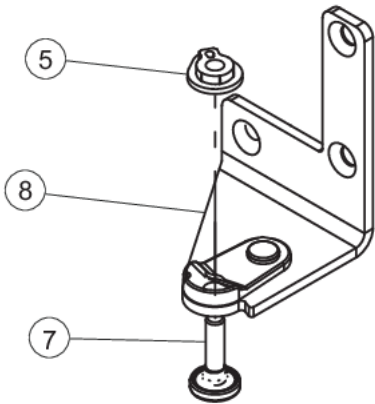
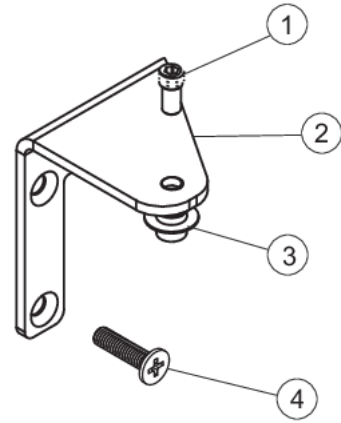
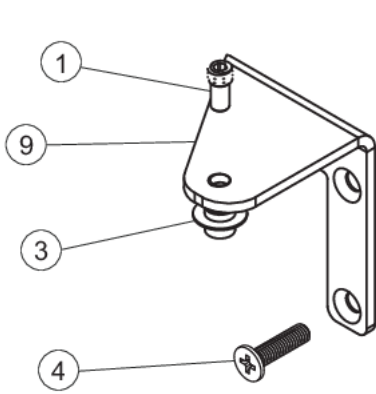




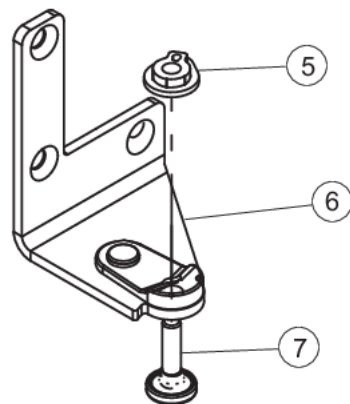


| Item | Part No.   | Name  | Qty | Uom | NOTES   |
|------|------------|---|-----|-----|---|
| 1    | PW230124   | MAGNETIC GASKET, BLACK                      | 1   | EA  |   |
| 2    | 028352-000 | MAGNET                                      | 1   | EA  |   |
| 3    | 022265-000 | #8 x 3/4" Phillips Head Screw               | 2   | EA  |   |
| 4    | 028353-000 | MAGNET SWITCH RETAINER                      | 1   | EA  |   |
| 5    | 022248-000 | 1/4-20 X 1/2 BUTTON HEAD<br>CAP SCREW       | 4   | EA  |   |
| 6    | 028355-000 | TOP HINGE ADAPTER, R.H.<br>DOOR (SHOWN)     | 1   | EA  |   |
| 7    | 022424-000 | SCREW : 4MM X 10MM                          | 1   | EA  |   |
| 8    | 009521-000 | STANDOFF STUD                               | 2   | EA  | Not available<br>online / Call for<br>pricing and<br>availability |
| 9    | 022434-000 | #10-32 X 1 1/2 TRUSS HEAD<br>MACHINE SCREW  | 2   | EA  | Not available<br>online / Call for<br>pricing and<br>availability |
| 10   | 028489-000 | DOOR ASSY, DES, RH, CLEAR<br>GLASS, W/LOCK  | 1   | EA  |   |
| 10   | 028491-000 | DOOR ASSY, DES, RH, FLUTED<br>GLASS, W/LOCK | 1   | EA  |   |
| 11   | 028382-000 | #10-32 X 5/16 CUP POINT SET<br>SCREW        | 2   | EA  |   |
| 12   | 028381-000 | DOOR HANDLE ASSEMBLY                        | 1   | EA  |   |
| 13   | 028492-000 | DOOR ASSY, DES, LH, CLEAR<br>GLASS, W/LOCK  | 1   | EA  |   |
| 13   | 028493-000 | DOOR ASSY, DES, LH, FLUTED<br>GLASS, W/LOCK | 1   | EA  |   |
| 14   | 022427-000 | DOOR STOP, L.H.                             | 1   | EA  |   |
| 15   | 022900-000 | TOP HINGE ADAPTER, LEFT<br>HAND             | 1   | EA  |   |
| 16   | PW200059   | LOCK & KEY ASSY FOR SSDF<br>DOORS           | 1   | EA  |   |

# HINGES



Right Hand

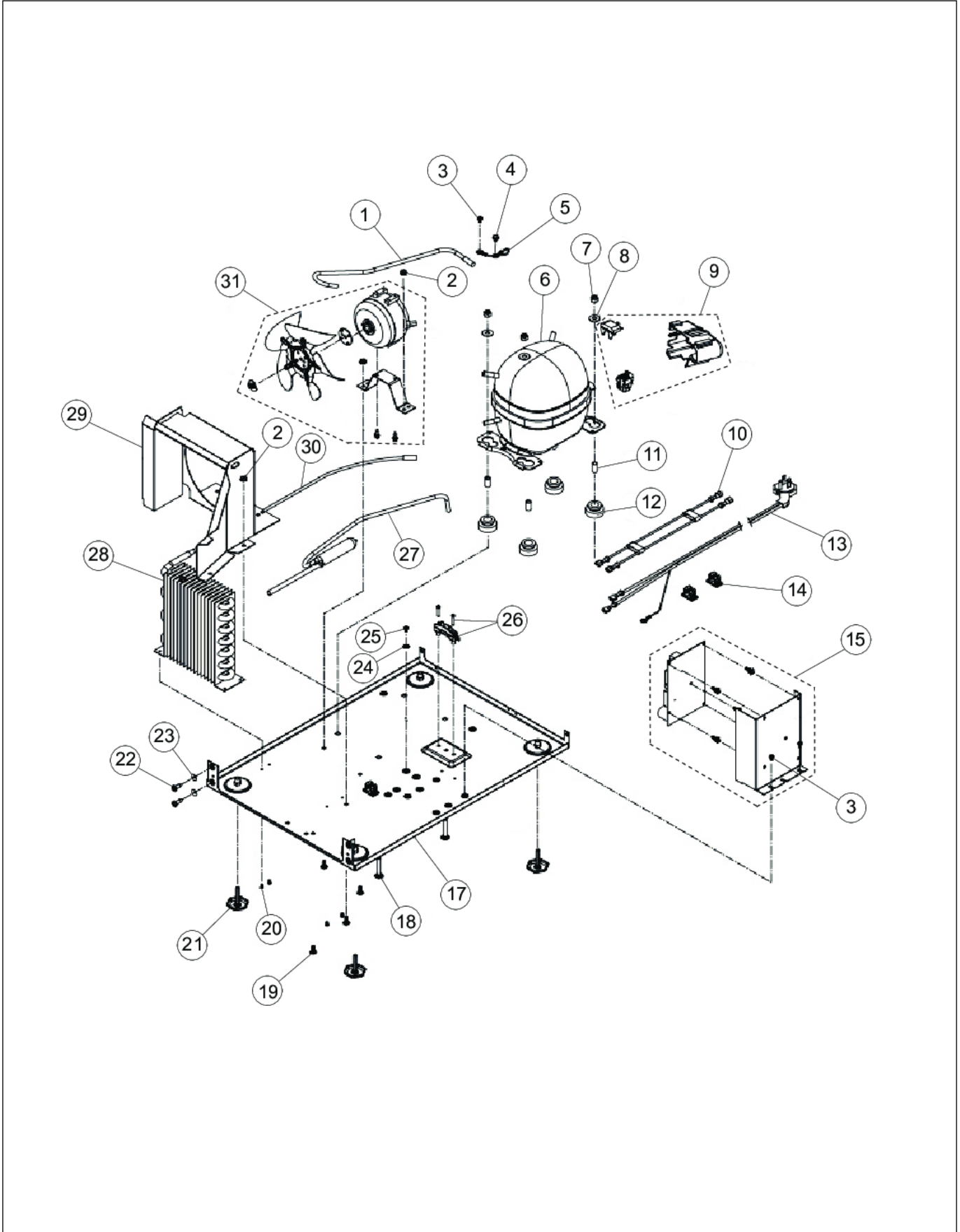


Left Hand



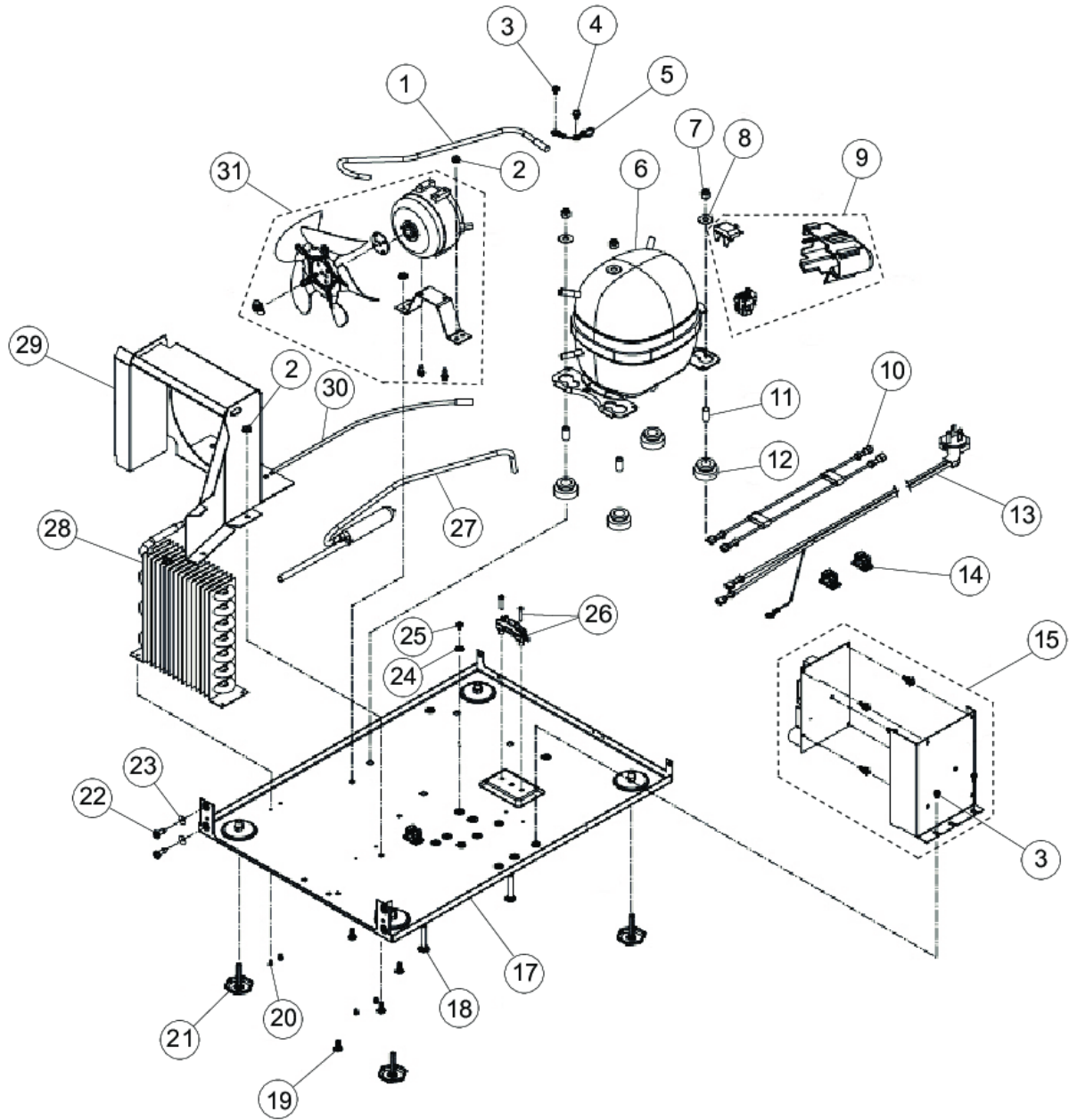
| Item | Part No.   | Name                              | Qty | Uom | NOTES |
|------|------------|-----------------------------------|-----|-----|-------|
| 1    | 028354-000 | SUBS TO PW200032 - Hinge Pin, Top | 1   | EA  |       |
| 2    | 022416-000 | UPPER DOOR HINGE L.H.             | 1   | EA  |       |
| 3    | 022414-000 | BEARING, HINGE PIN UPPER          | 1   | EA  |       |
| 4    | 022252-000 | 10-32 X 3/4 COUNTERSUNK SCREW     | 6   | EA  |       |
| 5    | 022423-000 | DOOR CLOSER CAM FOLLOWER          | 1   | EA  |       |
| 6    | 022420-000 | BOTTOM DOOR HINGE, L.H.           | 1   | EA  |       |
| 7    | 022240-000 | LOWER HINGE PIN                   | 1   | EA  |       |
| 8    | 022417-000 | BOTTOM DOOR HINGE, R.H.           | 1   | EA  |       |
| 9    | 022415-000 | UPPER DOOR HINGE R.H.             | 1   | EA  |       |

MECHANICAL





| Item | Part No.   | Name                                     | Qty | Uom | NOTES  |
|------|------------|--|-----|-----|--|
| 1    | 028475-000 | COPPER PROCESS TUBE, .25 OD X 19.00 LG   | 1   | EA  | Not available online / Call for pricing and availability |
| 2    | 022381-000 | #10-24 Hex Nut                           | 4   | EA  |  |
| 3    | 022883-000 | #8-21X1/4 Screw Phillips Pan Head        | 6   | EA  |  |
| 4    | 022402-000 | 10-32 X 1/2 HEX WASHER HEAD SCREW        | 1   | EA  |  |
| 5    | PW300137   | Ground Wire                              | 1   | EA  | Not available online / Call for pricing and availability |
| 6    | 028378-000 | COMPRESSOR                               | 1   | EA  |  |
| 7    | 022395-000 | 1/4-20 Hex Lock Nut                      | 3   | EA  |  |
| 8    | 022388-000 | Flat Washer                              | 3   | EA  |  |
| 9    | 022948-000 | OVERLOAD PROTECTOR ASSEMBLY              | 1   | EA  |  |
| 10   | 022373-000 | WIRING HARNESS, COMPRESSOR               | 1   | EA  |  |
| 11   | 022912-000 | Sleeve                                   | 3   | EA  |  |
| 12   | 022908-000 | Grommet                                  | 4   | EA  |  |
| 13   | 028377-000 | POWER CORD                               | 1   | EA  |  |
| 14   | 022359-000 | FASTEX CLAMP                             | 3   | EA  |  |
| 15   | 009511-000 | ELECTRONIC CONTROL BOARD AND BRACKET ASM | 1   | EA  |  |
| 17   | 028476-000 | MECHANICAL BASEPLATE                     | 1   | EA  |  |
| 18   | 022404-000 | CARRIAGE BOLT 1/4-20 X 1.50 UNC 2A       | 3   | EA  |  |
| 19   | 022365-000 | #10-24 x 1/2" Carriage Bolt              | 4   | EA  |  |
| 20   | 022356-000 | Pop Rivet                                | 4   | EA  |  |
| 21   | 022366-000 | LEG LEVELER                              | 4   | EA  |  |
| 22   | 022252-000 | 10-32 X 3/4 COUNTERSUNK SCREW            | 4   | EA  |  |
| 23   | 022403-000 | #10 Countersunk Flatwasher               | 4   | EA  |  |
| 24   | 022358-000 | THERMAL CUT-OUT N.O. 60 DEGREES          | 2   | EA  | Not available online / Call for pricing and availability |
| 25   | 022402-000 | 10-32 X 1/2 HEX WASHER HEAD SCREW        | 1   | EA  |  |





| Item | Part No.   | Name                                     | Qty | Uom | NOTES |
|------|------------|--|-----|-----|-------|
| 26   | 022380-000 | Power Cord Clamp and 4mm x 20 mm screws  | 2   | EA  |       |
| 27   | PW240030   | DRIER (42242894)                         | 1   | EA  |       |
| 28   | 028474-000 | CONDENSER, R-134A                        | 1   | EA  |       |
| 29   | 028477-000 | FAN SHROUD                               | 1   | EA  |       |
| 30   | 022772-000 | COPPER DISCHARGE TUBE, .187 OD X 19.00LG | 1   | EA  |       |
| 31   | PW300152   | FAN MOTOR ASSY (VUIM150) 42244701        | 1   | EA  |       |



Appendix A:Pages Index

|                  |   |
|------------------|---|
| CABINET .....    | 1 |
| DES GLASS .....  | 2 |
| HINGES .....     | 3 |
| MECHANICAL ..... | 4 |





Appendix B:Parts Index

|            |      |            |   |
|------------|------|------------|---|
| 009482-000 | 1    | 022461-000 | 1 |
| 009484-000 | 1    | 022466-000 | 1 |
| 009511-000 | 4    | 022469-000 | 1 |
| 009521-000 | 2    | 022470-000 | 1 |
| 022240-000 | 3    | 022472-000 | 1 |
| 022248-000 | 2    | 022473-000 | 1 |
| 022252-000 | 3, 4 | 022476-000 | 1 |
| 022265-000 | 2    | 022481-000 | 1 |
| 022352-000 | 1    | 022772-000 | 4 |
| 022356-000 | 1, 4 | 022883-000 | 4 |
| 022358-000 | 4    | 022900-000 | 2 |
| 022359-000 | 4    | 022908-000 | 4 |
| 022361-000 | 1    | 022912-000 | 4 |
| 022363-000 | 1    | 022948-000 | 4 |
| 022365-000 | 4    | 028352-000 | 2 |
| 022366-000 | 4    | 028353-000 | 2 |
| 022373-000 | 4    | 028354-000 | 3 |
| 022380-000 | 4    | 028355-000 | 2 |
| 022381-000 | 4    | 028377-000 | 4 |
| 022388-000 | 4    | 028378-000 | 4 |
| 022395-000 | 4    | 028381-000 | 2 |
| 022401-000 | 1    | 028382-000 | 2 |
| 022402-000 | 4, 4 | 028468-000 | 1 |
| 022403-000 | 4    | 028469-000 | 1 |
| 022404-000 | 4    | 028470-000 | 1 |
| 022414-000 | 3    | 028474-000 | 4 |
| 022415-000 | 3    | 028475-000 | 4 |
| 022416-000 | 3    | 028476-000 | 4 |
| 022417-000 | 3    | 028477-000 | 4 |
| 022420-000 | 3    | 028489-000 | 2 |
| 022423-000 | 3    | 028491-000 | 2 |
| 022424-000 | 2    | 028492-000 | 2 |
| 022427-000 | 2    | 028493-000 | 2 |
| 022434-000 | 2    | 028494-000 | 1 |
| 022440-000 | 1    | 028495-000 | 1 |
| 022444-000 | 1    | 028581-000 | 1 |
| 022446-000 | 1    | PS100007   | 1 |
| 022448-000 | 1    | PW200059   | 2 |
| 022450-000 | 1    | PW230124   | 2 |
| 022455-000 | 1, 1 | PW240030   | 4 |
|            |      | PW240045   | 1 |



|                |   |
|----------------|---|
| PW240049 ..... | 1 |
| PW300137 ..... | 4 |
| PW300152 ..... | 4 |